
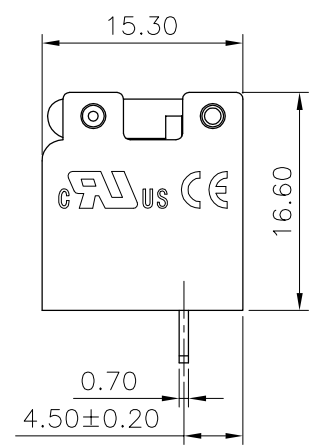
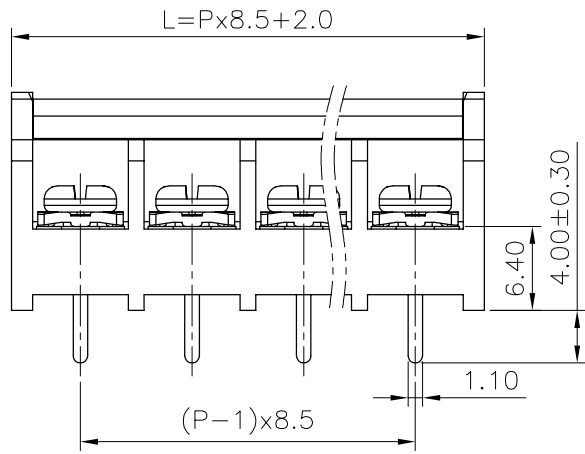
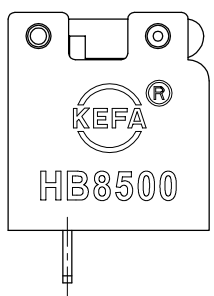
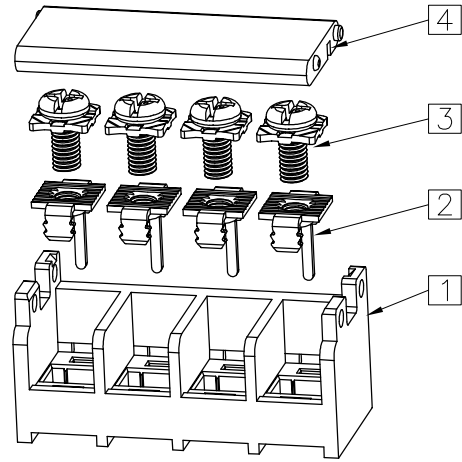
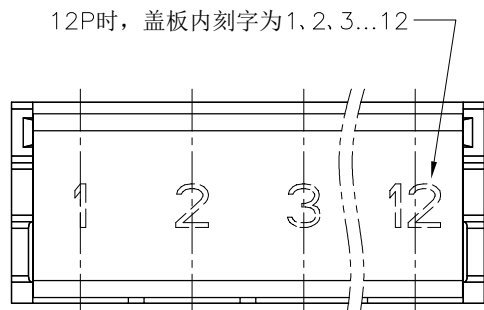
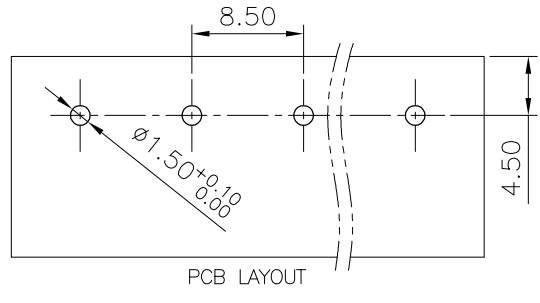


linear dimension(Tolerances Standard GB/T 14486-2008)								— 		
variable range	to 6	over 6 to 10	over 10 to 30	over 30 to 60	over 60 to 100	over 100 to 160	over 160 to	to 10	over 10 to 100	over 100 to
		±0.20	±0.30	±0.50	±0.70	±1.00	±1.30	±1.60	0.10	0.30



REVISION RECORD				
REV.	DESCRIPTION	ECN No.	APPROVED	DATE
A	新发行		CLF	26.05.09

UL/CUL 技术参数				
UL/CUL Technical Data				
等级 Use Group	B	C	D	
额定电压 Rated Voltage [V]	300	/	/	
额定电流 Rated Current [A]	20	/	/	
接线范围 Wire Range	22-12			
单/多芯线 Solid/Stranded [AWG]				
耐电压 Withstanding Voltage	AC1600V/ 1 min			
IEC 技术参数				
IEC Technical Data				
额定电压 Rated Voltage [V]	450			
额定电流 Rated Current [A]	32			
耐电压 Withstanding Voltage	AC2500V/ 1 min			
导线截面积 Conductor cross section	4			
硬质/柔性导线 Solid/ flexible [mm ²]				
材料 Material				
绝缘材料 Insulation Material	PA66+GF			
阻燃等级 Imflammability	UL94V-0			
导体材料 Contactor Material	铜合金 Copper alloy			
导体表面镀层 Contactive Coating	镀锡 Sn Plated			
一般参数 Other Data				
间距 Pitch [mm]	8.5			
极数 Poles [P]	2-12P			
剥线长度 Stripping Length [mm]	/			
螺丝 Screw/扭矩 Torque(Max) [N.m]	M3/0.8			
工作温度 Operating temperatur [°C]	-40~+105			
引针尺寸 Pin Dimensions [mm]	4.0			
PCB板孔径 PCB Hole Diameter [mm]	1.5			

DES.	DY	DATE	26.05.09	单位 / UNITS	mm	尺寸 / SIZE	A4	比例 / SCALE	1:1	第三视角 / THIRD ANGLE PROJECTION	版本 / REV	A
CHK.	SJD	DATE	26.05.09	 慈溪市科发电子有限公司 CIXI KEFA ELECTRONICS CO., LTD				名称 / TITLE	HB8500-8.5-XXP带盖			
APP.	CLF	DATE	26.05.09									