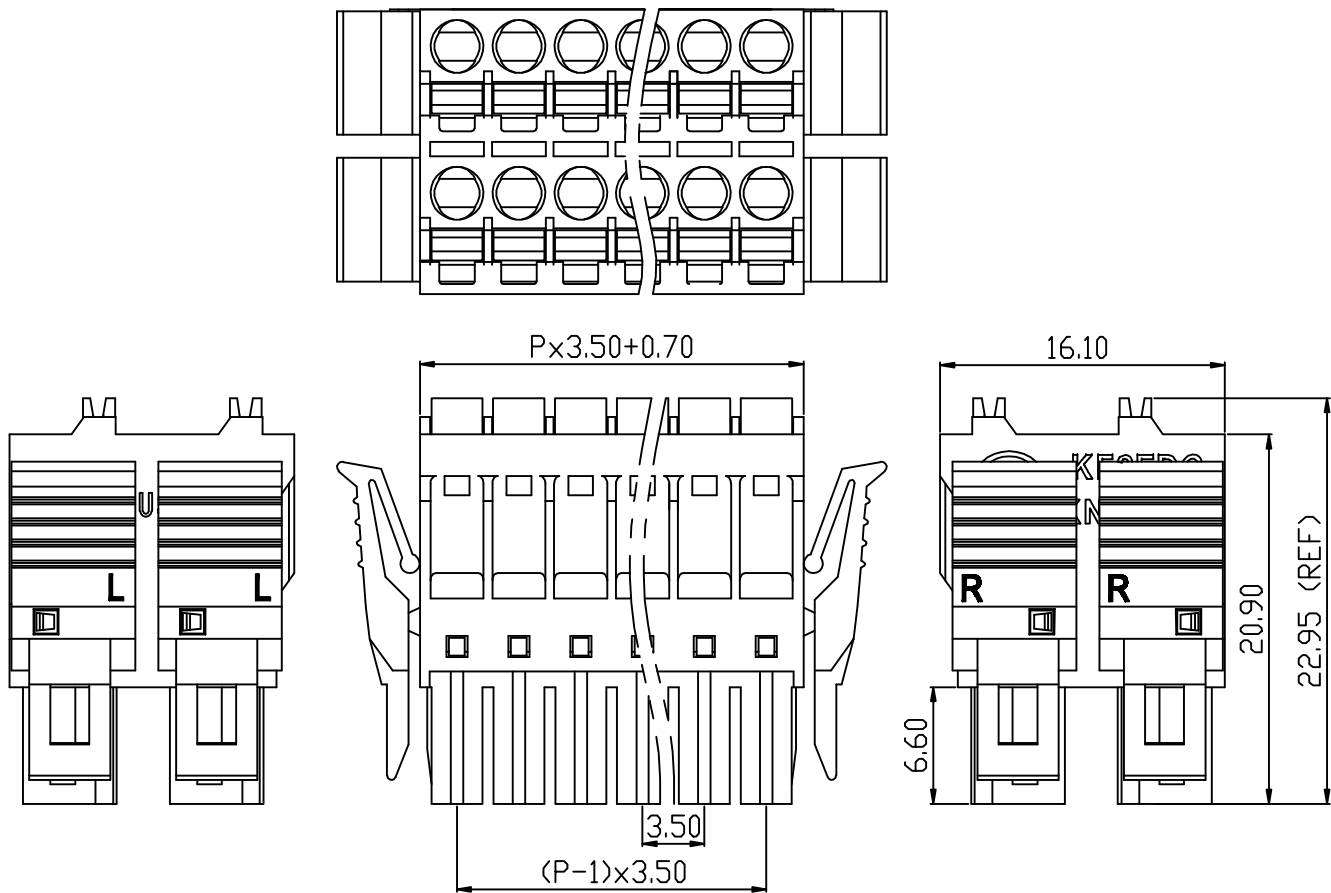


| linear dimension(Tolerances Standard GB/T 14486-2008) | | | | | | | | — | \square | \perp |
|---|------------|------------|------------|------------|------------|------------|------------|------|-----------|----------|
| variable range | to | over 6 | over 10 | over 30 | over 60 | over 100 | over 160 | to | over 10 | over 100 |
| | 6 | to 10 | to 30 | to 60 | to 100 | to 160 | to 10 | | | |
| tolerance | ± 0.20 | ± 0.30 | ± 0.50 | ± 0.70 | ± 1.00 | ± 1.30 | ± 1.60 | 0.10 | 0.30 | 0.60 |

| REVISION RECORD | | | | |
|-----------------|-------------|---------|----------|----------|
| REV. | DESCRIPTION | ECN No. | APPROVED | DATE |
| A | 新发行 | | CLF | 21.03.13 |
| | | | | |
| | | | | |



| UL/CUL 技术参数 UL/CUL Technical Data | | | |
|---|--|------------------|---------|
| 等级 Use Group | | B | C D |
| 额定电压 Rated Voltage [V] | | 300 | - 300 |
| 额定电流 Rated Current [A] | | 8 | - 10 |
| 接线范围 Wire Range | | 26-16 | |
| 单/多芯线 Solid/Stranded [AWG] | | | |
| 耐电压 Withstanding Voltage | | 1800V/1Min | |
| IEC 技术参数 IEC Technical Data | | | |
| 过电压类别 Overvoltage Category | | III | III II |
| 污染等级 Contamination Class | | 3 | 2 2 |
| 额定电压 Rated Voltage [V] | | - | 160 320 |
| 额定电流 Rated Current [A] | | - | 7 7 |
| 额定冲击电压 Impulse withstand voltages [KV] | | - | 2.5 2.5 |
| 导线横面积 Conductor cross section | | 1.5 | |
| 硬质/柔性导线 Solid/flexible [mm ²] | | | |
| 材料 Material | | | |
| 绝缘材料 Insulation Material | | PA66 | |
| 阻燃等级 Inflammability | | UL94V-0 | |
| 导体材料 Contact Material | | 铜合金 Copper alloy | |
| 导体表面镀层 Contactive Coating | | 镀镍 Ni plating | |
| 一般参数 Other Data | | | |
| 间距 Pitch [mm] | | 3.5 | |
| 极数 Pole [P] | | 2(2-24) | |
| 剥线长度 Stripping Length [mm] | | 6-9 | |
| 螺丝 Screw/扭矩 Torque(Max) [N.m] | | - | |
| 工作温度 Operating temperatur [°C] | | -40~+105 | |
| 引脚尺寸 Pin Dimensions [mm] | | - | |
| PCB板孔径 PCB Hole Diameter [mm] | | - | |

| | | | | | | | | | | | | |
|------|-----|------|----------|--|----|---------|----|----------|-----|-----------------------------|----------------|---|
| DES. | FZM | DATE | 21.03.13 | 单位/UNITS | mm | 尺寸/SIZE | A4 | 比例/SCALE | 1:1 | 第三视角/THIRD ANGLE PROJECTION | 版本/REV | A |
| CHK. | SY | DATE | 21.03.13 | 慈溪市科发电子有限公司 CIXI KEFA ELECTRONIC CO., LTD | | | | | | 名称/TITLE | KF2EDGKNHG-3.5 | |
| APP. | CLF | DATE | 21.03.13 | | | | | | | | | |