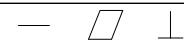
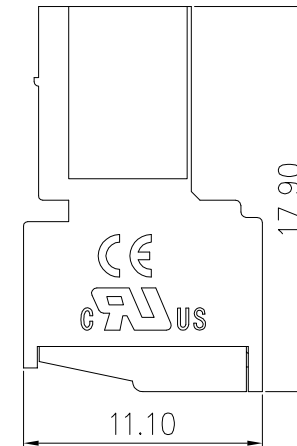
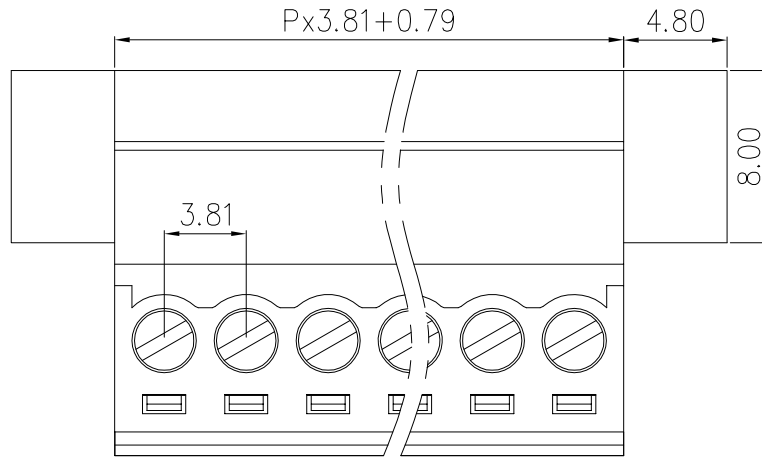
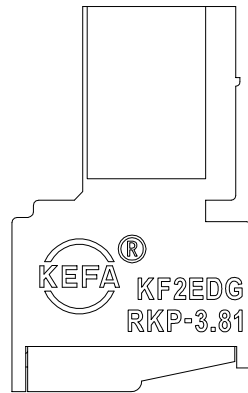
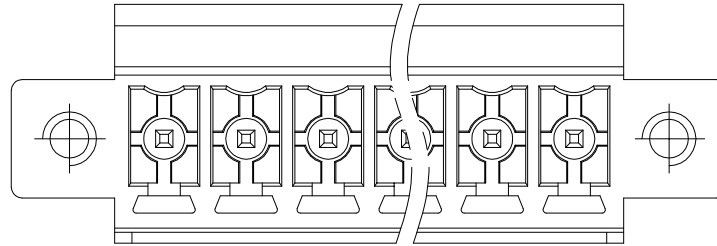


linear dimension(Tolerances Standard GB/T 14486-2008)



variable range	to	over 6 to 10	over 10 to 30	over 30 to 60	over 60 to 100	over 100 to 160	over 160 to	to	over 10 to 100	over 100 to
	6	10	30	60	100	160	10	100	100	
tolerance	±0.20	±0.30	±0.50	±0.70	±1.00	±1.30	±1.60	0.10	0.30	0.60

REVISION RECORD				
REV.	DESCRIPTION	ECN No.	APPROVED	DATE
A	新发行		CLF	23.12.27



UL/CUL 技术参数 UL/CUL Technical Data					
等级	Use Group	B	C	D	
额定电压	Rated Voltage [V]	300	-	300	
额定电流	Rated Current [A]	8	-	10	
接线范围	Wire Range	28-16			
单/多芯线	Solid/Stranded [AWG]				
耐电压	Withstanding Voltage	1600V/1Min			
IEC 技术参数 IEC Technical Data					
过电压类别	Overtoltage Category	III	III	II	
污染等级	Contamination Class	3	2	2	
额定电压	Rated Voltage [V]	-	160	320	
额定电流	Rated Current [A]	-	7	7	
额定冲击电压	Impulse withstand voltagea [KV]	-	2.5	2.5	
导线截面积	Conductor cross section	1.5			
硬质/柔性导线	Solid/flexible [mm ²]				
材料 Material					
绝缘材料	Insulation Material	PA66			
阻燃等级	Imflammability	UL94V-0			
导体材料	Contactur Material	铜合金 Copper alloy			
导体表面镀层	Contactive Coating	镀锡 Tin Plated			
一般参数 Other Data					
间距	Pitch [mm]	3.81			
极数	Poles [P]	2-24			
剥线长度	Stripping Length [mm]	7-8			
螺丝	Screw/扭矩 Torque(Max) [N.m]	M2/0.2			
工作温度	Operating temperatur [°C]	-40~+105			
引针尺寸	Pin Dimensions [mm]	-			
PCB板孔径	PCB Hole Diameter [mm]	-			

DES.	LQQ	DATE	23.12.27	单位 / UNITS	mm	尺寸 / SIZE	A4	比例 / SCALE	1:1	第三视角 / THIRD ANGLE PROJECTION	版本 / REV	A
CHK.	BY	DATE	23.12.27		慈溪市科发电子有限公司 CIXI KEFA ELECTRONIC CO., LTD						名称 / TITLE	KF2EDGRKP-3.81
APP.	CLF	DATE	23.12.27									