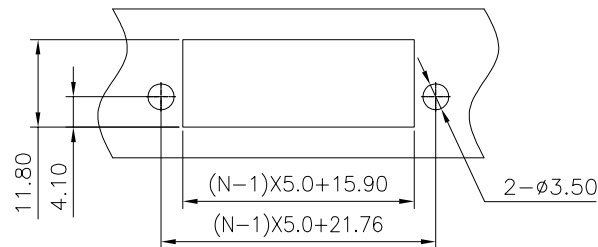
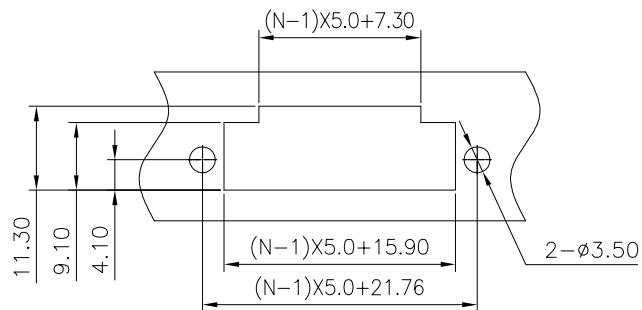
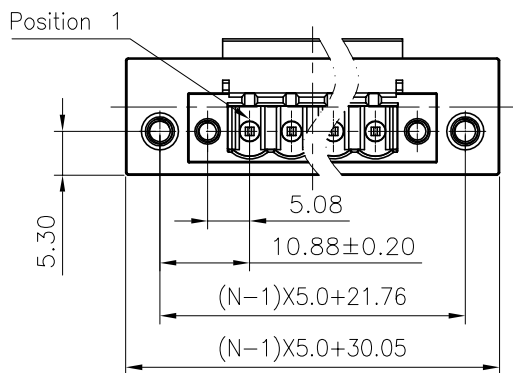
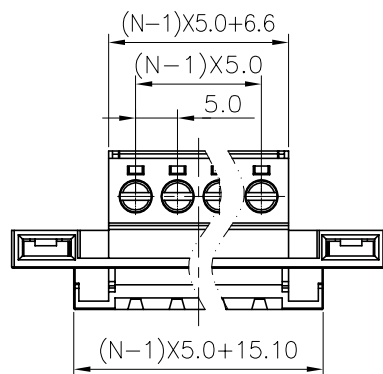


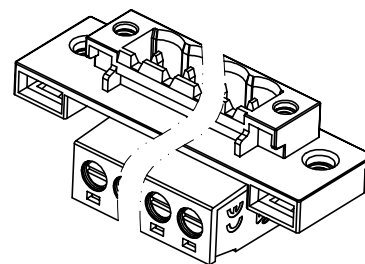
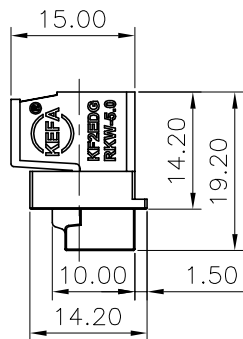
linear dimension(Tolerances Standard GB/T 14486-2008)							—			
variable range	to 6	over 6 to 10	over 10 to 30	over 30 to 60	over 60 to 100	over 100 to 160	to 10	over 10 to 100	over 100 to	
tolerance	±0.20	±0.30	±0.50	±0.70	±1.00	±1.30	±1.60	0.10	0.30	0.60



maximum thickness of panel(all variants)=5mm



maximum thickness of panel = 5mm
For LR(Lock and Released) variants
maximum thickness of panel = 2mm



REVISION RECORD				
REV.	DESCRIPTION	ECN No.	APPROVED	DATE

UL/CUL 技术 参数				
UL/CUL Technical Data				
等级	Use Group	B	C	D
额定电压	Rated Voltage [V]	300	-	300
额定电流	Rated Current [A]	10	-	10
接线范围	Wire Range	24-12		
单/多芯线	Solid/Stranded [AWG]	24-12		
耐电压	Withstanding Voltage	1.6KV/ 1 min		

IEC 技术参数				
IEC Technical Data				
过电压类别	Overvoltage Category	III	III	II
污染等级	Contamination Class	3	2	2
额定电压	Rated Voltage [V]	-	320	630
额定电流	Rated Current [A]	-	15	15
额定冲击电压	Impulse withstand voltagea [KV]	-	4	4
导线截面积	Conductor cross section	2.5		
硬质/柔性导线	Solid/ flexible [mm²]	2.5		

材料 Material		
绝缘材料	Insulation Material	PA66
阻燃等级	Imflamability	UL94V-0
导体材料	Contactur Material	铜合金 Copper alloy
导体表面镀层	Contactive Coating	镀锡 Tin plating

一般参数 Other Data		
间距	Pitch [mm]	5.0
极数	Poles [P]	2~24P
剥线长度	Stripping Length [mm]	7~8
螺丝	Screw/扭矩 Torque(Max) [N.m]	M2. 5/0. 25 M3/0. 5
工作温度	Operating temperatur [°C]	-40°C~ +105°C
引针尺寸	Pin Dimensions [mm]	/
PCB板孔径	PCB Hole Diameter [mm]	/

DES.	CHK	DATE	2024. 10. 21	单位/ UNITS	mm	尺寸/ SIZE	A4	比例/ SCALE	1:1	第三视角/THIRD ANGLE PROJECTION	版本/ REV	A
CHK.	CLF	DATE	2024. 10. 21	慈溪市科发电子有限公司 CIXI KEFA ELECTRONICS CO., LTD				名称/ TITLE				
APP.	HDK	DATE	2024. 10. 21					KF2EDGRKW-5.0-XXP				