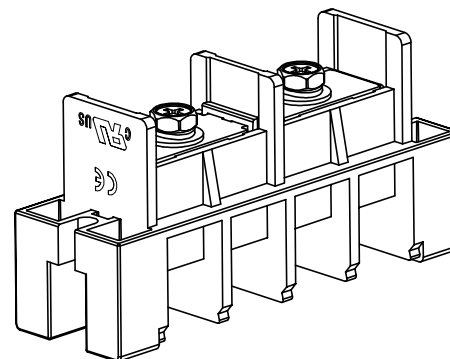
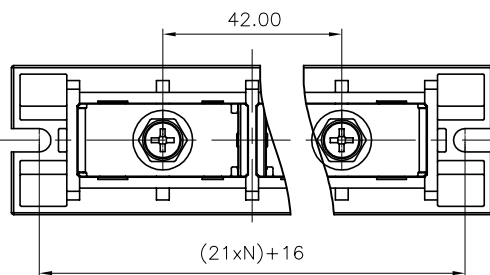
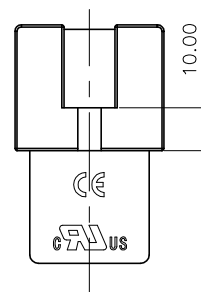
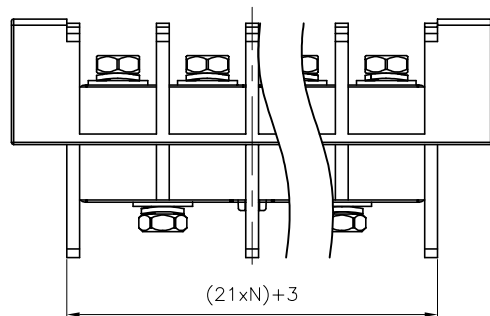
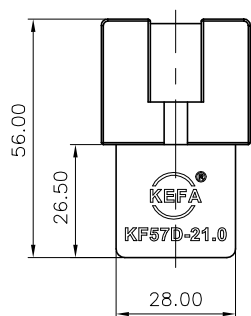
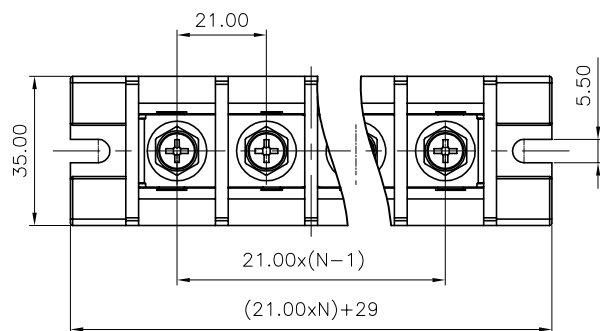
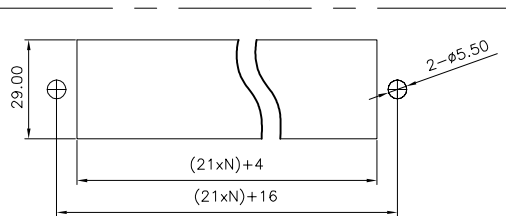


linear dimension(Tolerances Standard GB/T 14486-2008)										
variable range	to	over 6 to 10	over 10 to 30	over 30 to 60	over 60 to 100	over 100 to 160	to	over 10 to 100	over 100 to	
	tolerance	±0.20	±0.30	±0.50	±0.70	±1.00	±1.30	±1.60	0.10	0.30



Panel Cut out



REVISION RECORD				
REV.	DESCRIPTION	ECN No.	APPROVED	DATE

UL/CUL 技术 参数		UL/CUL Technical Data		
等级	Use Group	B	C	D
额定电压	Rated Voltage [V]	600	600	600
额定电流	Rated Current [A]	115	115	5
接线范围	Wire Range	10-2		
单/多芯线	Solid/Stranded [AWG]	10-2		
耐电压	Withstanding Voltage	AC 2.2KV/ 1 min		

IEC 技术参数		IEC Technical Data		
过电压类别	Overvoltage Category	III	III	II
污染等级	Contamination Class	3	2	2
额定电压	Rated Voltage [V]	1000	1000	1000
额定电流	Rated Current [A]	125	125	125
额定冲击电压	Impulse withstand voltagea [KV]	8	8	8
导线截面积	Conductor cross section	6.0-35		
硬质/柔性导线	Solid/ flexible [mm ²]	6.0-35		

材料		Material		
绝缘材料	Insulation Material	PBT		
阻燃等级	Imflammability	UL94V-0		
导体材料	Contactior Material	铜合金 Copper alloy		
导体表面镀层	Contactive Coating	镀镍 Nickel plating		

一般参数		Other Data		
间距	Pitch [mm]	21.0		
极数	Poles [P]	2P/4P		
剥线长度	Stripping Length [mm]	12-13		
螺丝	Screw/扭矩 Torque(Max) [N.m]	M6/5.0		
工作温度	Operating temperatur [°C]	-30°C ~ +120°C		
引针尺寸	Pin Dimensions [mm]	/		
PCB板孔径	PCB Hole Diameter [mm]	/		

DES.	CHK	DATE	2024. 07. 29	单位 / UNITS	mm	尺寸 / SIZE	A4	比例 / SCALE	1:1	第三视角 / THIRD ANGLE PROJECTION	版本 / REV	A
CHK.	CLF	DATE	2024. 07. 29	 慈溪市科发电子有限公司 CIXI KEFA ELECTRONICS CO., LTD				名称 / TITLE	KF57D-21.0-XXP 黑色			
APP.	HDK	DATE	2024. 07. 29									