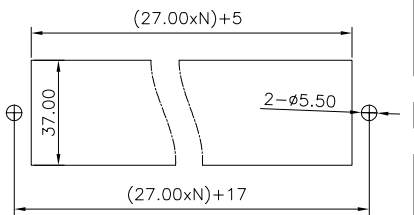


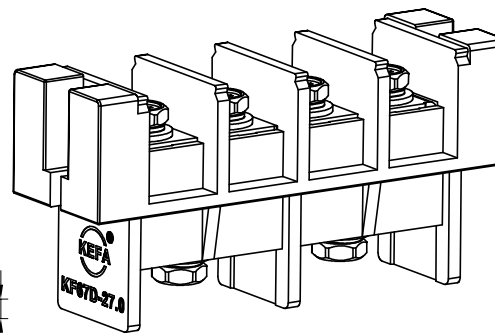
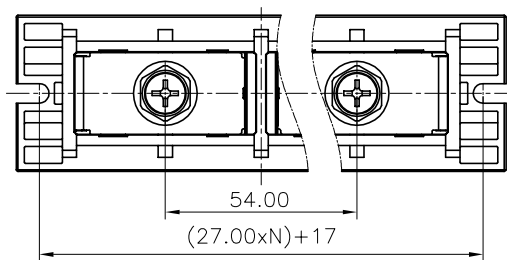
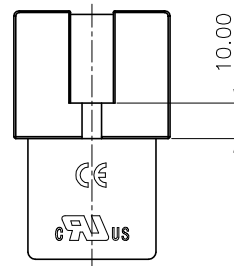
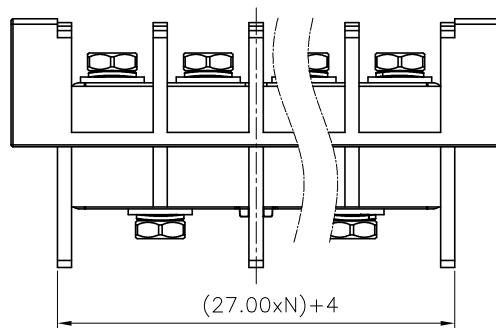
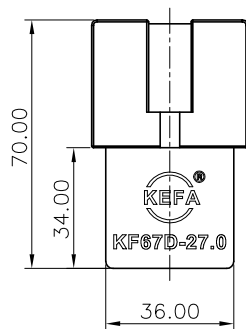
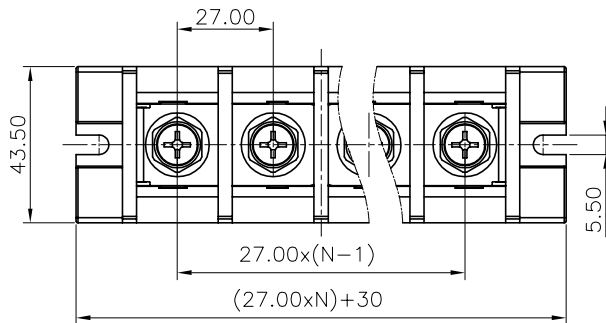
linear dimension(Tolerances Standard GB/T 14486-2008)



variable range	to 6	over 6 to 10	over 10 to 30	over 30 to 60	over 60 to 100	over 100 to 160	over 160 to	to 10	over 10 to 100	over 100 to
tolerance	±0.20	±0.30	±0.50	±0.70	±1.00	±1.30	±1.60	0.10	0.30	0.60



Panel Cut out



REVISION RECORD

REV.	DESCRIPTION	ECN No.	APPROVED	DATE

UL/CUL 技术参数

UL/CUL Technical Data

等级	Use Group	B	C	D
额定电压	Rated Voltage [V]	600	600	600
额定电流	Rated Current [A]	200	200	5
接线范围	Wire Range	2-3/0		
单/多芯线	Solid/Stranded [AWG]	2-3/0		
耐电压	Withstanding Voltage	AC 2.2KV/ 1 min		

IEC 技术参数

IEC Technical Data

过电压类别	Overtoltage Category	III	III	II
污染等级	Contamination Class	3	2	2
额定电压	Rated Voltage [V]	1500	1500	1500
额定电流	Rated Current [A]	232	232	232
额定冲击电压	Impulse withstand voltage <sub>a</sub> [KV]	8	8	8
导线截面积	Conductor cross section	35-95		
硬质/柔性导线	Solid/flexible [mm <sup>2</sup> ]	35-95		

材料 Material

绝缘材料	Insulation Material	PBT
阻燃等级	Imflammability	UL94V-0
导体材料	Contactior Material	铜合金 Copper alloy
导体表面镀层	Contactive Coating	镀镍 Nickel plating

一般参数 Other Data

间距	Pitch [mm]	27.0
极数	Poles [P]	2P/4P
剥线长度	Stripping Length [mm]	12-13
螺丝	Screw/扭矩 Torque(Max) [N.m]	M8/6. 0
工作温度	Operating temperatur [°C]	-30°C ~ +120°C
引针尺寸	Pin Dimensions [mm]	/
PCB板孔径	PCB Hole Diameter [mm]	/

DES.	CHK	DATE	2024. 10. 28	单位/ UNITS	mm	尺寸/ SIZE	A4	比例/ SCALE	1:1	第三视角/THIRD ANGLE PROJECTION	版本/ REV	A
CHK.	CLF	DATE	2024. 10. 28	慈溪市科发电子有限公司 CIXI KEFA ELECTRONICS CO., LTD				名称/ TITLE	KF67D-27.0-XXP 黑色			
APP.	HDK	DATE	2024. 10. 28					名称/ TITLE	KF67D-27.0-XXP 黑色			