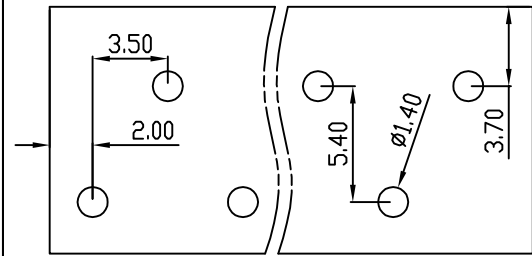
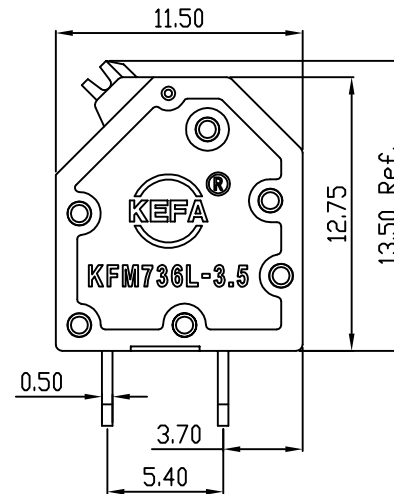
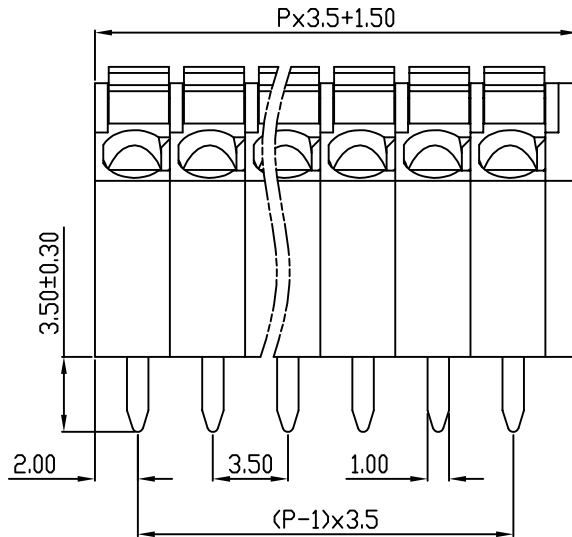
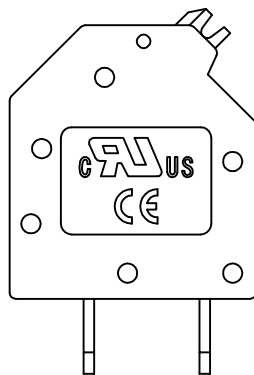
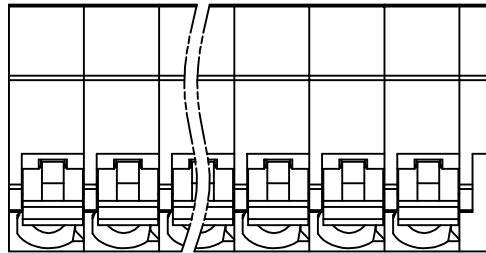


|   |       |              |               |               |                |                 |             |       |                |             |
|---|-------|--------------|---------------|---------------|----------------|-----------------|-------------|-------|----------------|-------------|
| linear dimension(Tolerances Standard GB/T 14486-2008) |       |              |               |               |                |                 |             | —     |                |             |
| variable range  | to 6  | over 6 to 10 | over 10 to 30 | over 30 to 60 | over 60 to 100 | over 100 to 160 | over 160 to | to 10 | over 10 to 100 | over 100 to |
| tolerance   | ±0.20 | ±0.30        | ±0.50         | ±0.70         | ±1.00          | ±1.30           | ±1.60       | 0.10  | 0.30           | 0.60        |



PCB Layout



| REVISION RECORD |             |         |          |          |
|-----------------|-------------|---------|----------|----------|
| REV.            | DESCRIPTION | ECN No. | APPROVED | DATE     |
| A               | 新发行         |         | CLF      | 22.08.15 |
|                 |             |         |          |          |
|                 |             |         |          |          |

|                                      |   |                  |     |            |  |  |
|--------------------------------------|---|------------------|-----|------------|--|--|
| UL/CUL 技术参数<br>UL/CUL Technical Data |   |                  |     |            |  |  |
| 等级                                   | Use Group                                   | B                | C   | D          |  |  |
| 额定电压                                 | Rated Voltage [V]                           | 300              | -   | 300        |  |  |
| 额定电流                                 | Rated Current [A]                           | 9                | -   | 10         |  |  |
| 接线范围                                 | Wire Range                                  | 22-16            |     |            |  |  |
| 单/多芯线                                | Solid/Stranded [AWG]                        |                  |     |            |  |  |
| 耐电压                                  | Withstanding Voltage                        | 1600V/1Min       |     |            |  |  |
| IEC 技术参数<br>IEC Technical Data       |   |                  |     |            |  |  |
| 过电压类别                                | Overvoltage Category                        | III              | III | II         |  |  |
| 污染等级                                 | Contamination Class                         | 3                | 2   | 2          |  |  |
| 额定电压                                 | Rated Voltage [V]                           | 160              | 160 | 320        |  |  |
| 额定电流                                 | Rated Current [A]                           | 14               | 14  | 14         |  |  |
| 额定冲击电压                               | Impulse withstand voltage <sup>a</sup> [KV] | 2.5              | 2.5 | 2.5        |  |  |
| 导线截面积                                | Conductor cross section                     | 1.5              |     |            |  |  |
| 硬质/柔性导线                              | Solid/flexible [mm <sup>2</sup> ]           |                  |     |            |  |  |
| 材料                                   |   |                  |     | Material   |  |  |
| 绝缘材料                                 | Insulation Material                         | PA66             |     |            |  |  |
| 阻燃等级                                 | Flammability                                | UL94V-0          |     |            |  |  |
| 导体材料                                 | Contacting Material                         | 铜合金 Copper alloy |     |            |  |  |
| 导体表面镀层                               | Contactive Coating                          | 镀锡 Tin Plated    |     |            |  |  |
| 一般参数                                 |   |                  |     | Other Data |  |  |
| 间距                                   | Pitch [mm]                                  | 3.5              |     |            |  |  |
| 极数                                   | Poles [P]                                   | 01~XX            |     |            |  |  |
| 剥线长度                                 | Stripping Length [mm]                       | 10-11            |     |            |  |  |
| 螺丝                                   | Screw/扭矩 Torque(Max) [N.m]                  | -                |     |            |  |  |
| 工作温度                                 | Operating temperatur [°C]                   | -40~+105         |     |            |  |  |
| 引针尺寸                                 | Pin Dimensions [mm]                         | 3.5              |     |            |  |  |
| PCB板孔径                               | PCB Hole Diameter [mm]                      | 1.4              |     |            |  |  |

|      |     |      |          |
|------|-----|------|----------|
| DES. | SJD | DATE | 22.08.15 |
| CHK. | BY  | DATE | 22.08.15 |
| APP. | CLF | DATE | 22.08.15 |

|  |    |         |    |          |     |
|--|----|---------|----|----------|-----|
| 单位/UNITS                                     | mm | 尺寸/SIZE | A4 | 比例/SCALE | 1:1 |
| 慈溪市科发电子有限公司<br>CIXI KEFA ELECTRONIC CO., LTD |    |         |    |          |     |

|                             |  |          |              |
|-----------------------------|--|----------|--------------|
| 第三视角/THIRD ANGLE PROJECTION |  | 版本/REV   | A            |
|                             |  | 名称/TITLE | KFM736LB-3.5 |