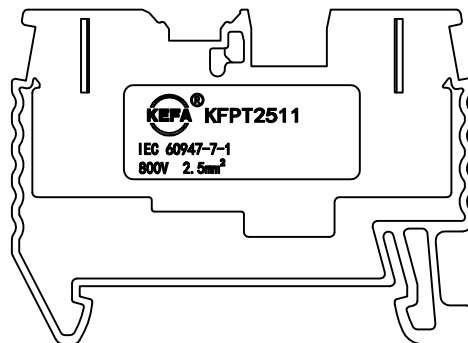
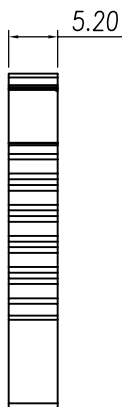
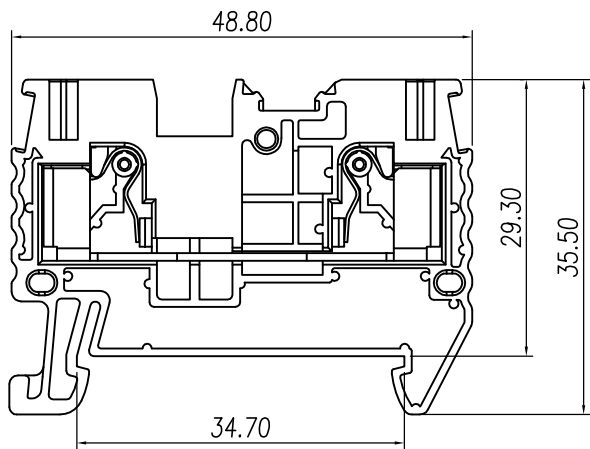


linear dimension(Tolerances Standard GB/T 14486-2008)								—		
variable range	to 6	over 6	over 10	over 30	over 60	over 100	over 160	to 10	over 10	over 100
		to 10	to 30	to 60	to 100	to 160	to 100		to	
tolerance	±0.20	±0.30	±0.50	±0.70	±1.00	±1.30	±1.60	0.10	0.30	0.60



REVISION RECORD				
REV.	DESCRIPTION	ECN No.	APPROVED	DATE
A	新发行		CLF	21.07.15

UL/CUL 技术参数 UL/CUL Technical Data				
等级	Use Group	B	C	D
额定电压	Rated Voltage [V]	600	600	600
额定电流	Rated Current [A]	20	20	5
接线范围	Wire Range	26-12		
单/多芯线	Solid/Stranded [AWG]			
耐电压	Withstanding Voltage	2200V/1Min		
IEC 技术参数 IEC Technical Data				
过电压类别	Overvoltage Category	III	-	-
污染等级	Contamination Class	3	-	-
额定电压	Rated Voltage [V]	800	-	-
额定电流	Rated Current [A]	24	-	-
额定冲击电压	Impulse withstand voltage ^a [KV]	8.0	-	-
导线截面积	Conductor cross section	0.2-2.5(4sol)		
硬质/柔性导线	Solid/flexible [mm²]			
材料 Material				
绝缘材料	Insulation Material	PA66		
阻燃等级	Imflammability	UL94V-0		
导体材料	Contacting Material	铜合金 Copper alloy		
导体表面镀层	Contactive Coating	镀锡 Tin Plated		
一般参数 Other Data				
间距	Pitch [mm]	5.2		
极数	Poles [P]	01P		
剥线长度	Stripping Length [mm]	10~12		
螺丝	Screw/扭矩 Torque(Max) [N.m]	-		
工作温度	Operating temperatur [°C]	-40~+105		
引针尺寸	Pin Dimensions [mm]	-		
PCB板孔径	PCB Hole Diameter [mm]	-		

DES.	WW	DATE	21.07.15
CHK.	BY	DATE	21.07.15
APP.	CLF	DATE	21.07.15

单位 / UNITS	mm	尺寸 / SIZE	A4	比例 / SCALE	1:1
慈溪市科发电子有限公司 CIXI KEFA ELECTRONIC CO., LTD					

第三视角 / THIRD ANGLE PROJECTION	版本 / REV	A
名称 / TITLE	KFPT2511	