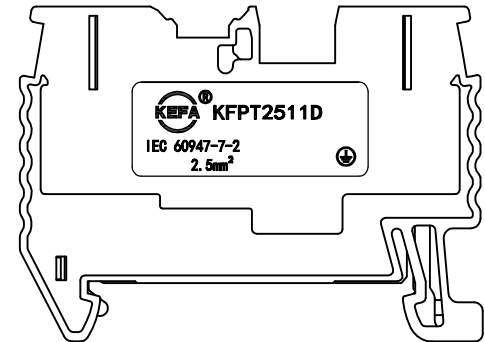
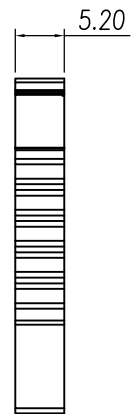
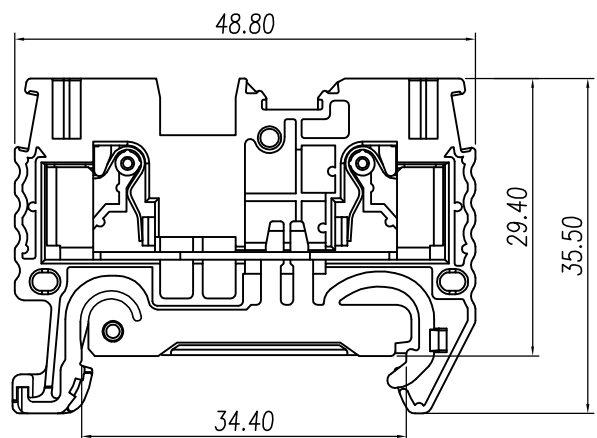


linear dimension(Tolerances Standard GB/T 14486-2008)								—		
variable range	to 6	over 6 to 10	over 10 to 30	over 30 to 60	over 60 to 100	over 100 to 160	to 10	over 10 to 100	over 100 to 160	
tolerance	±0.20	±0.30	±0.50	±0.70	±1.00	±1.30	±1.60	0.10	0.30	0.60



REVISION RECORD				
REV.	DESCRIPTION	ECN No.	APPROVED	DATE
A	新发行		CLF	21.07.15

UL/CUL 技术参数 UL/CUL Technical Data						
等级	Use Group		B	C	D	
额定电压	Rated Voltage [V]		-	-	-	
额定电流	Rated Current [A]		-	-	-	
接线范围	Wire Range		26-12			
单/多芯线	Solid/Stranded [AWG]					
耐电压	Withstanding Voltage		-			
IEC 技术参数 IEC Technical Data						
过电压类别	Overvoltage Category		III	-	-	
污染等级	Contamination Class		3	-	-	
额定电压	Rated Voltage [V]		-	-	-	
额定电流	Rated Current [A]		-	-	-	
额定冲击电压	Impulse withstand voltagea [KV]		8.0			
导线截面积	Conductor cross section		0.2-2.5(4sol)			
硬质/柔性导线	Solid/flexible [mm²]					
材料 Material						
绝缘材料	Insulation Material		PA66			
阻燃等级	Imflammability		UL94V-0			
导体材料	Contacting Material		铜合金 Copper alloy			
导体表面镀层	Contactive Coating		镀锡 Tin Plated			
一般参数 Other Data						
间距	Pitch [mm]		5.2			
极数	Poles [P]		01P			
剥线长度	Stripping Length [mm]		10~12			
螺丝	Screw/扭矩 Torque(Max) [N.m]		-			
工作温度	Operating temperatur [°C]		-40~+105			
引针尺寸	Pin Dimensions [mm]		-			
PCB板孔径	PCB Hole Diameter [mm]		-			

DES.	WW	DATE	21.07.15
CHK.	BY	DATE	21.07.15
APP.	CLF	DATE	21.07.15

单位 / UNITS mm 尺寸 / SIZE A4 比例 / SCALE 1:1

慈溪市科发电子有限公司  
CIXI KEFA ELECTRONIC CO., LTD

第三视角 / THIRD ANGLE PROJECTION

版本 / REV A

名称 / TITLE **KFPT2511D**